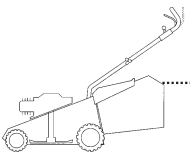


NGL 504 TR

NGL 504 TR-E

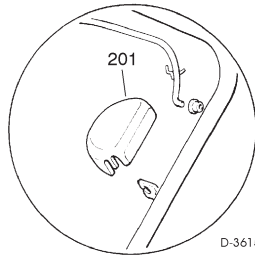


CHASSIS
MANICO
COMANDI
DOTAZIONE VITERIE

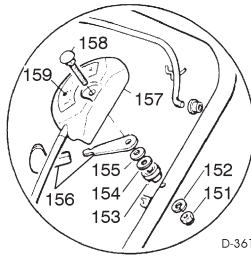
DECK
HANDLE
CONTROLS
SCREWS OUTFITS

CHÂSSIS
MANCHERON
COMMANDES
DOTATION VISSERIE

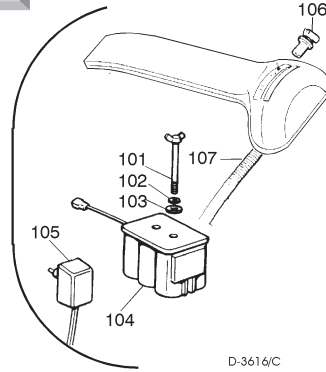
GEHÄUSE
HOLM
BETÄTIGUNGEN
SCHRAUBENSATZ



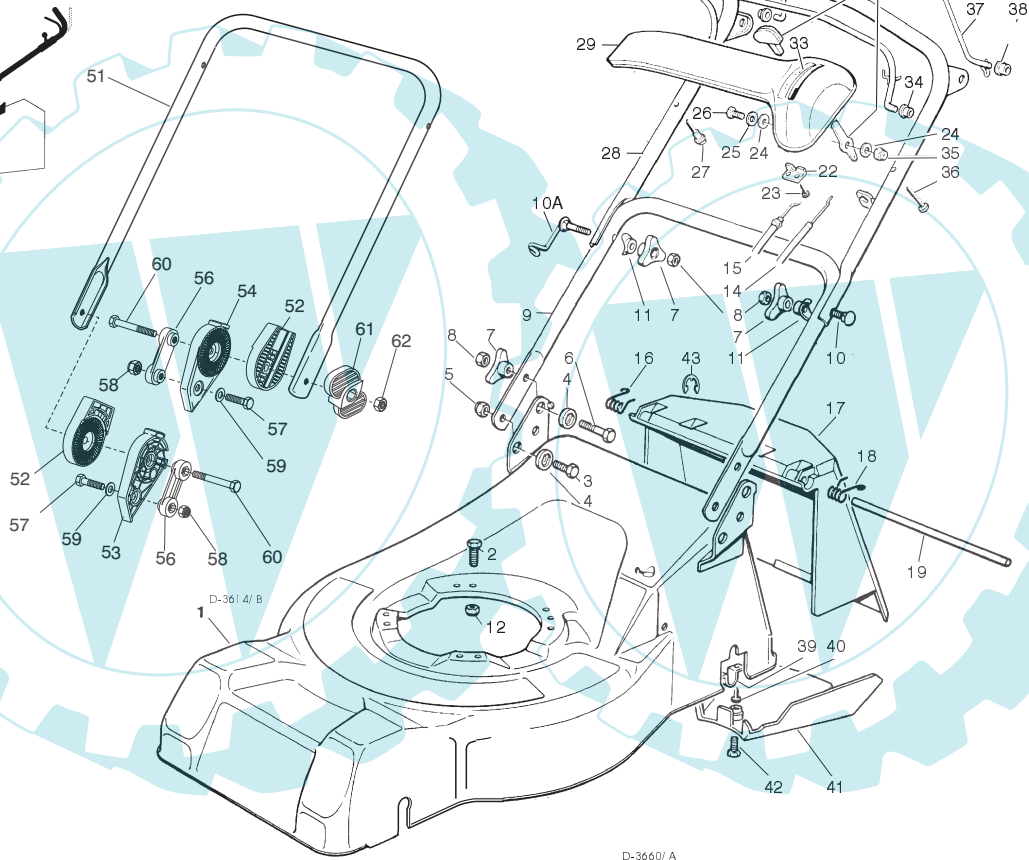
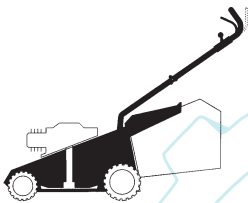
D-3615/E



D-3615/D



D-3616/C



D-3660/ A

SPARE PARTS CATALOGUE

ERSATZTEILKATALOG

GB

D

CATALOGO DELLE PARTI
DI RICAMBIO

CATALOGUE DES PIÈCES
DE RECHANGE

I

F

T-3660/ A

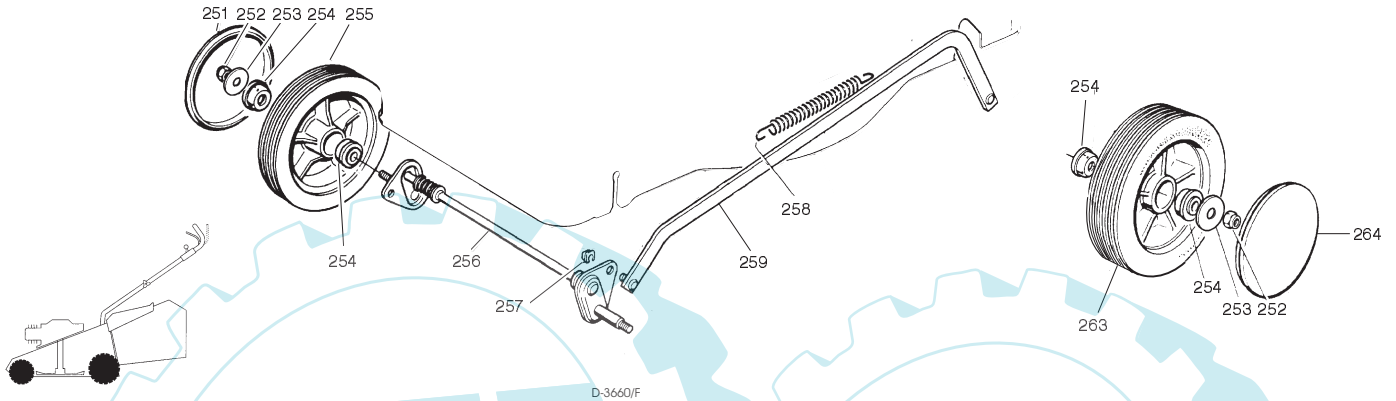
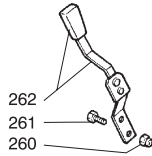
Pos. Nr.	Codice Code Kodex	Q.tà Q.ty-Q.tè Menge	Descrizione	Description	Description	Beschreibung
1			CHASSIS	DECK	CHÂSSIS	GEHÄUSE
—	81001611/ 0	1	ROSSO (TR)	RED (TR)	ROUGE (TR)	ROTES (TR)
—	81001612/ 0	1	GIALLO (TR)	YELLOW (TR)	JAUNE (TR)	GELBES (TR)
—	81001613/ 0	1	VERDE (TR)	GREEN (TR)	VERT (TR)	GRÜNES (TR)
—	81001672/ 0	1	ROSSO (TR-E)	RED (TR-E)	ROUGE (TR-E)	ROTES (TR-E)
—	81001673/ 0	1	GIALLO (TR-E)	YELLOW (TR-E)	JAUNE (TR-E)	GELBES (TR-E)
—	81001674/ 0	1	VERDE (TR-E)	GREEN (TR-E)	VERT (TR-E)	GRÜNES (TR-E)
2			VITE	SCREW	VIS	SCHRAUBE
—	12793700/ 0	3/ 2	(M8x30)	(M8x30)	(M8x30)	(M8x30)
—	12691800/ 0	0/ 1	(M8x60)	(M8x60)	(M8x60)	(M8x60)
3	12792610/ 0	2	VITE	SCREW	VIS	SCHRAUBE
4	22041955/ 0	4	BUSSOLA	BUSH	DOUILLE	BUCHSE
5	12155000/ 0	2	DADO	NUT	ECROU	MUTTER
6	12793700/ 0	2	VITE	SCREW	VIS	SCHRAUBE
7	22399900/ 0	4	MANOPOLINA	KNOB	POIGNÉE	GRIF
8	12293200/ 0	4	DADO	NUT	ECROU	MUTTER
9	81006990/ 0	1	PARTIE INF. MANICO	LOWER HANDLE	PARTIE INF. MANCHERON	UNTERHOLM
10	12819201/ 0	1	VITE	SCREW	VIS	SCHRAUBE
10A	81003801/ 0	1	MOLLA GUIDA	SPRING	RESSORT	FEDER
11	22680006/ 1	2	RONDELLA	WASHER	RONDELLE	SCHEIBE

Pos. Nr.	Codice Code Kodex	Q.tà Q.ty-Q.tè Menge	Descrizione	Description	Description	Beschreibung
12	12293201/ 0	3/ 2	DADO	NUT	ECROU	MUTTER
—	12155000/ 0	0/ 1	DADO	NUT	ECROU	MUTTER
14	81007160/ 0	1	CAVO ACCELERATORE	THROTTLE CABLE	CABLE ACCELERATEUR	BESCHLEUNIGER KABEL
15	81000629/ 0	1	CAVO FRENO MOTORE (TECUMSEH)	THREAD MOTOR BRAKE (TECUMSEH)	CABLE FREIN MOTEUR (TECUMSEH)	MOTORBREMSEKABEL (TECUMSEH)
—	81000631/ 0	1	(QUANTUM XM-ES 40)	(QUANTUM XM-ES 40)	(QUANTUM XM-ES 40)	(QUANTUM XM-ES 40)
—	81000625/ 0	1	(SPRINT 375/ QUATTRO)	(SPRINT 375/ QUATTRO)	(SPRINT 375/ QUATTRO)	(SPRINT 375/ QUATTRO)
—	81000640/ 0	1	(HONDA GCV 135/ 160))	(HONDA GCV 135/ 160))	(HONDA GCV 135/ 160))	(HONDA GCV 135/ 160))
16	22450410/ 1	1	MOLLA DX	RIGHT SPRING	RESSORT DROITE	RECHTE FEDER
17	22600028/ 4	1	PARASASSI	STONE-GUARD	PARE-PIERRES	PRALLBLECH
18	22450420/ 1	1	MOLLA SX	LEFT SPRING	RESSORT GAUCHE	LINKE FEDER
19	22517906/ 1	1	PERNO	PIN	PIVOT	BOLZEN
22	22981467/ 0	1	PIASTRINA	PLAQUE	PLAQUETTE	PLATTE
23	12735105/ 0	2	VITE	SCREW	VIS	SCHRAUBE
24	12523040/ 0	2	RONDELLA	WASHER	RONDELLE	SCHLEIBE
25	12530060/ 0	1	RONDELLA ELASTICA	SPRING WASHER	RONDELLE ELASTIQUE	ELASTISCHE SCHLEIBE
26	12791500/ 0	1	VITE	SCREW	VIS	SCHRAUBE
27	22943006/ 0	1	VITE	SCREW	VIS	SCHRAUBE
28	81007024/ 0	1	PARTE SUP. MANICO	UPPER HANDLE	PARTIE SUP. MANCHERON	OBERHOLM
29	22120154/ 0	1	CRUSCOTTO	DASH BOARD	CONSOLE	KONSOLE
—	22120152/ 0	1	ROSSO	RED	ROUGE	ROTE
—	22120158/ 0	1	GIALLO	YELLOW	JAUNE	GELBE
—	22120158/ 0	1	NERO	BLACK	NOIRE	SCHWARZE
30	81003291/ 2	1	LEVA FRENO MOTORE	BRAKE LEVER	LEVIER FREIN MOTEUR	MOTORBREMSEHEBEL
31	22291050/ 0	1	IMPUGNATURA MANICO	HANDGRIP	POIGNÉE	HANDGRIFF
—	22291051/ 0	1	NERA	BLACK	NOIRE	SCHWARZER
—	22291052/ 0	1	ROSSA	RED	ROUGE	RÖTER
—	22291052/ 0	1	GIALLA	YELLOW	JAUNE	GELBER
32	81007280/ 2	1	ASS. LEVA + MANOPOLINA	LEVER + KNOB ASS. Y	ENS. LEVIER + POIGNÉE	HEBEL + GRIFF SATZ
33	14356743/ 0	1	ETICHETTA (TECUMSEH-HONDA)	LABEL (TECUMSEH-HONDA)	ETIQUETTE (TECUMSEH-HONDA)	ETIKETTE (TECUMSEH-HONDA)
—	14356744/ 0	1	(B&S)	(B&S)	(B&S)	(B&S)
34	22041966/ 0	1	BOCCOLA	BUSH	DOUILLE	BUCHSE
35	12154510/ 0	1	DADO	NUT	ECROU	MUTTER
36	12728460/ 0	1	VITE	SCREW	VIS	SCHRAUBE
37	81003288/ 1	1	LEVA TRAZIONE	DRIVING LEVER	LEVIER TRACTION	ANTRIEBHEBEL
38	22041965/ 0	2	BOCCOLA	BUSH	DOUILLE	BUCHSE
39	22545152/ 0	2	PIASTRINA	PLAQUE	PLAQUETTE	PLATTE
40	12731350/ 0	4	VITE	SCREW	VIS	SCHRAUBE
41	22060190/ 0	1	CAR TER CINGHIA	BELT PROTECTION	PROTECTION COURROIRE	RIEMENSCHUTZ
42	12727791/ 0	1	VITE	SCREW	VIS	SCHRAUBE
43	12000930/ 0	1	ANELLO ELASTICO	SNAP RING	ANNEAU RESSORT	SPRENGRING
—	81008614/ 1	1	DOTAZIONE VITERIA	SCREWS OUTFIT	DOTATION VISSERIE	SCHRAUBEN SATZ
—	81008609/ 0	1	DOTAZIONE CRUSCOTTO	DASH-BOARD OUTFIT	DOTATION CONSOLE	KONSOLE SATZ
			VARIANTE REGOLAZIONE MANICO	HANDLE ADJUSTMENT VARIANT	VARIANTE REGLAGE POIGNEE	GRIFFEINSTELLVARIANTE
T-3615/ B	81006510/ 0	1	PARTE INFR. MANICO	LOWER HANDLE	PARTIE INF. MANCHERON	UNTERHOLM
52	22785081/ 0	2	SUPPORTO ESTERNO	EXTERNAL SUPPORT	SUPPORT EXTERNE	AUßERE HALTERUNG
53	22785082/ 0	1	SUPPORTO INTERNO DX	R. INTERNAL SUPPORT	SUPPORT INTERNE DROIT	INNERE HALTERUNG RECHTS
54	22785083/ 1	1	SUPPORTO INTERNO SX	L. INTERNAL SUPPORT	SUPPORT INTERNE GAUCHE	INNERE HALTERUNG LINKS
56	22551575/ 0	2	PIASTRINA INTERNA	INSIDE PLAQUE	PLAQUETTE INTERNE	INNERE PLATTE
57	12793701/ 0	2	VITE	SCREW	VIS	SCHRAUBE
58	12155000/ 0	2	DADO	NUT	ECROU	MUTTER
59	12521350/ 0	2	RONDELLA	WASHER	RONDELLE	SCHLEIBE
60	12691810/ 0	2	VITE	SCREW	VIS	SCHRAUBE
61	22399803/ 0	2	MANOPOLINA	KNOB	POIGNÉE	GRIFF
62	12293202/ 0	2	DADO	NUT	ECROU	MUTTER
—	81008623/ 0	1	DOTAZ. VITERIA	SCREWS OUTFIT	DOTATION VISSERIE	SCHRAUBEN SATZ
			VARIANTI PER AVVIAMENTO ELETTRICO	PARTS FOR ELECTRIC START	COMPOSANTS POUR DÉMARRAGE ÉLECTRIQUE	ELEKTROSTART BESTANDTEILE
T-3615/ C	22517855/ 0	2	PERNO	PIN	PIVOT	BOLZEN
102	12523000/ 0	2	RONDELLA	WASHER	RONDELLE	SCHLEIBE
103	12540020/ 0	2	RONDELLA	WASHER	RONDELLE	SCHLEIBE
104	18120050/ 0	1	BATTERIA	BATTERY	BATTERIE	BATTERIE
105	18204110/ 0	1	CARICA BATTERIA	BATTERY CHARGER	CHARGEUR DE BATTERIE	LADGERÄT
106	18450050/ 0	1	INTERRUTTORE	SWITCH	INTERRUPTEUR	SCHALTER
107	18204190/ 2	1	CAVO AVVIAMENTO	START CABLE	CABLE DÉMARRAGE	STARTKABEL
			VARIANTE ACCELERATORE	THROTTLE VARIANTS	VARIANTES COMMANDE D'ACCELERATION	ÄNDERUNGEN AUF GASHEBEL
T-3615/ D	12291000/ 0	1	DADO	NUT	ECROU	MUTTER
152	12581500/ 0	1	GROWER	GROWER	GROWER	FEDERRING
153	22171005/ 0	1	DISTANZIALE	SPACER	ENTRETOISE	DISTANZRING
154	12521360/ 0	1	RONDELLA	WASHER	RONDELLE	SCHLEIBE
155	12508100/ 0	1	RONDELLA ELASTICA	SPRING WASHER	RONDELLE ELASTIQUE	ELASTISCHE SCHLEIBE
156	81007279/ 1	1	ASS. LEVA+MANOPOLINA	LEVER+KNOB ASS.Y	ENS. LEVIER+POIGNEE	HEBEL+GRIFF SATZ
157	81007080/ 0	1	ASSIEME ACCELERATORE	TROTTLE UNIT ASS.Y	ENS. ACCELERATEUR	BESCHLEUNIGER SATZ
158	12815000/ 0	1	VITE	SCREW	VIS	SCHRAUBE
159	14356702/ 0	1	ETICHETTA (TECUMSEH-HONDA)	LABEL (TECUMSEH-HONDA)	ETIQUETTE (TECUMSEH-HONDA)	ETIKETTE (TECUMSEH-HONDA)
—	14356703/ 0	1	(B&S)	(B&S)	(B&S)	(B&S)

T-3615/ E

Pos. Nr.	Codice Code Kodex	Q.tà Q.ty-Q.tè Menge	Descrizione	Description	Description	Beschreibung
			VARIANTE REGIME FISSO	FIXED SPEED VARIANTS	VARIANTES POUR MODÈLE À REGIME FIXE	ÄNDERUNGEN FÜR MODELLE MIT FIXIERTER DREHZAHL
201	22601 000/ 0		PROTEZIONE	PROTECTION	PROTECTION	SCHUTZ

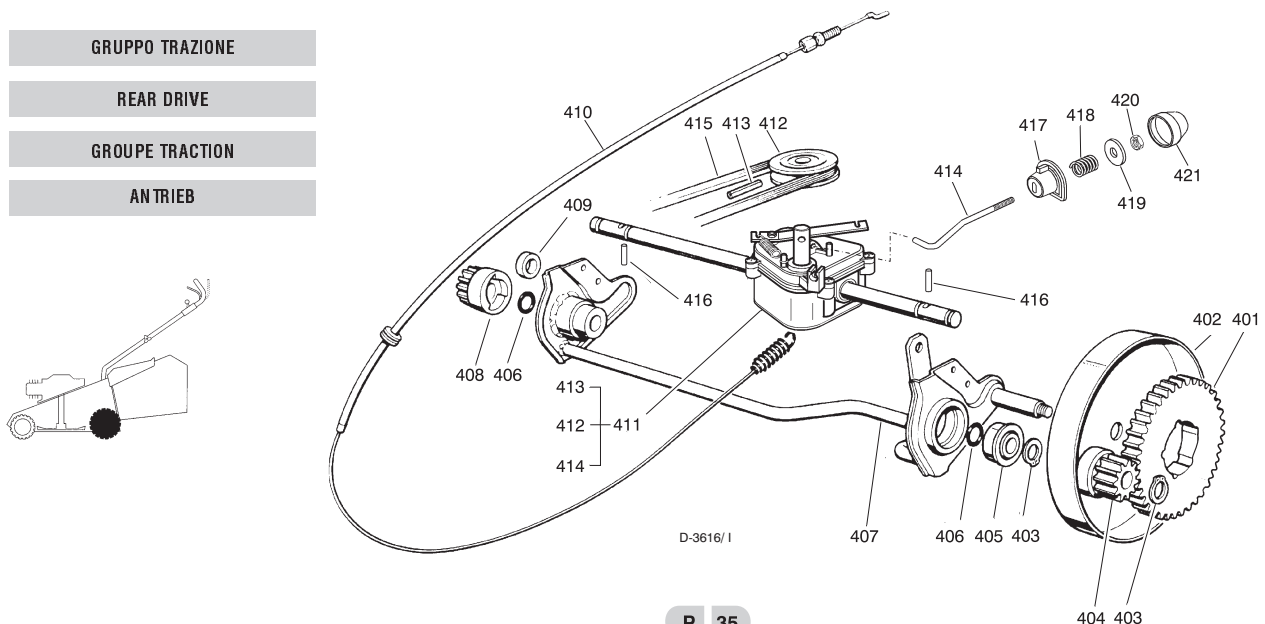
- RUOTE E REGOLAZIONE**
- WHEELS AND HEIGHT ADJUSTING**
- ROUES ET REGLAGE HAUTER DE COUPE**
- RÄDER UND SCHNITTHÖHEVERSTELLUNG**



T-3660/ F

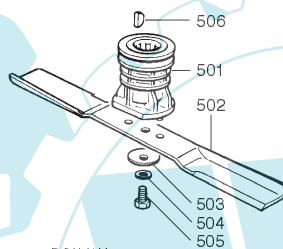
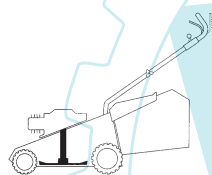
251			COPRIMOZZO	HUB CAP	COUVRE-MOYEU	RADKAPPE
—	2211 0262/ 0	2	BIANCO	WHITE	BLANC	WEIßE
—	2211 0263/ 0	2	GIALLO	YELLOW	JAUNE	GELBE
—	2211 0264/ 0	2	ROSSO	RED	ROUGE	ROTE
252	12155000/ 0	2	DADO	NUT	ECROU	MUTTER
253	12523060/ 0	4	RONDELLA	WASHER	RONDELLE	SCHEIBE
254	22034508/ 0	8	BOCCOLA	BUSH	DOUILLE	BUCHSE
255	81007326/ 0	2	RUOTA Ø 170	WHEEL Ø 170	ROUE Ø 170	RAD Ø 170
256	81001268/ 0	1	ASSE RUOTE ANT.	FRONT WHEELS AXLE	AXE ROUES AVANT	VORDERRADACHSE
257	12436050/ 0	2	PIASTRINA PER AST	PLAQUE	PLAQUETTE	PLÄTTCHEN
258	22446180/ 0	1	MOLLA	SPRING	RESSORT	FEDER
259	81001263/ 0	1	ASTA	ROD	TIGE	STANGE
260	12154330/ 0	2	DADO	NUT	ECROU	MUTTER
261	12789000/ 0	2	VITE	SCREW	VIS	SCHRAUBE
262	81003279/ 2	1	LEVA REGOLAZIONE	ADJUSTMENT LEVER	LEVIER REGLAGE	VERSTELLUNGHEBEL
263	81007328/ 0	2	RUOTA Ø 210	WHEEL Ø 210	ROUE Ø 210	RAD Ø 210
264			COPRIMOZZO	HUB CAP	COUVRE-MOYEU	RADKAPPE
—	2211 0265/ 0	2	BIANCO	WHITE	BLANC	WEIßE
—	2211 0266/ 0	2	GIALLO	YELLOW	JAUNE	GELBE
—	2211 0267/ 0	2	ROSSO	RED	ROUGE	ROTE

- GRUPPO TRAZIONE**
- REAR DRIVE**
- GROUPE TRACTION**
- ANTRIEB**



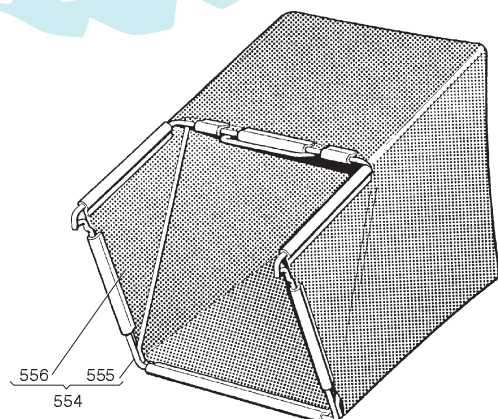
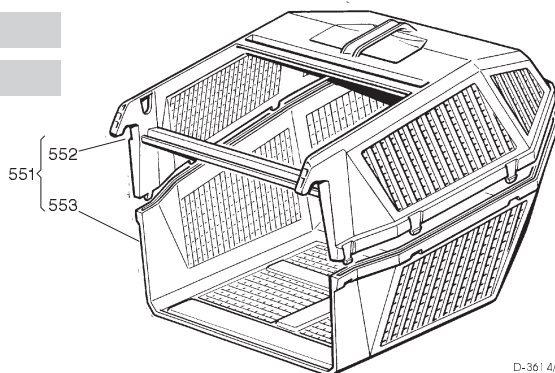
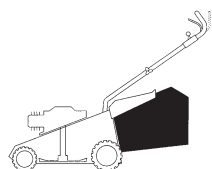
Pos. Nr.	Codice Code Kodex	Q.tà Q.ty-Q.tè Menge	Descrizione	Description	Description	Beschreibung	
D-3616/I	401	22120105/ 1	2	CORONA	RING GEAR	COURONNE	KRANZ
	402	81006846/ 0	2	PROTEZIONE RUOTE	WHEEL GUARD	PROTECTION ROUE	RÄDERSCHUTZ
	403	12608600/ 0	4	SEEGER	SEEGER	SEEGER	SEEGER
	404	22570120/ 0	1	PIGNONE SINISTRO	LEFT PINION	PIGNON GAUCHE	LINKES RITZEL
	405	22122200/ 0	2	CUSCINETTO	BEARING	COUSSINET	LAGER
	406	12019900/ 0	2	ANELLO OR	OR RING	BAGUE OR	RING OR
	407	81001252/ 1	1	ASSE RUOTE POSTERIORE	REAR WHEELS AXLE	AXE ROUES ARRIERE	HINTERRADACHSE
	408	22570110/ 0	1	PIGNONE DESTRO	RIGHT PINION	PIGNON DROITE	RECHTES RITZEL
	409	22170800/ 0	1	DISTANZIALE	SPACER	ENTRETOISE	DISTANZRING
	410	81001143/ 0	1	ASS. COMANDO TRAZIONE	REAR DRIVE ASS.Y	ENS. COMMANDE TRACTION	ANTRIEBKABEL
	411	81003059/ 0	1	ASS. GRUPPO TRAZIONE (PLASTICA)	GEAR BOX ASS.Y (PLASTIC)	ENS. GROUPE TRACTION (PLASTIQUE)	ANTRIEBSATZ (KUNSTSTOFF)
	—	81003060/ 0	1	(ALLUMINIO)	(ALUMINIUM)	(ALUMINIUM)	(ALUMINIUM)
	412	22601904/ 0	1	PULEGGIA 4 KM/ H	PULLEY 4 KM/ H	POULIE 4 KM/ H	RIEMENSCHLEIBE 4 KM/ H
	413	12645705/ 0	1	SPINA	PIN	GOUPILLE	STIFT
	414	22033280/ 0	1	ASTA REGOLAZIONE	ADJUSTMENT ROD	TIGE REGLAGE	VERSTELLUNGSTANGE
	415	35063900/ 0	1	CINGHIA Z 28	BELT Z 28	COURROIE Z 28	RIEMENSCHLEIBE Z 28
	416	22753000/ 0	2	SPINA	PIN	GOUPILLE	STIFT
	417	22041957/ 0	1	BUSSOLA	BUSH	DOUILLE	BUCHSE
	418	22450063/ 0	1	MOLLA	SPRING	RESSORT	FEDER
	419	22680009/ 0	1	RONDELLA	WASHER	RONDELLE	SCHLEIBE
	420	12154510/ 0	1	DADO	NUT	ECROU	MÜTTER
421	22110230/ 0	1	TAPPO	CAP	BOUCHON	GUMMISTOPFEN	

GRUPPO COLTELLO
BLADE ASS.Y
GROUPE LAME
MESSERSATZ



D-3618/M	501	22465607/ 0	1	MOZZO CON PULEGGIA	HUB WITH PULLEY	MOYEU AVEC POULIE	NABE MIT SCHEIBE
	502	81004366/ 1	1	COLTELLO	BLADE	LAME	MESSER
	—	81004395/ 1	1	STANDARD	STANDARD	STANDARD	STANDARD
	—	81004395/ 1	1	ALETTATO	WINGED	AILETTÉE	FLÜGEL
	503	22160400/ 0	1	RONDELLA ELASTICA	SPRING WASHER	RONDELLE ELASTIQUE	ELASTISCHE SCHEIBE
	504	12523080/ 0	1	RONDELLA	WASHER	RONDELLE	SCHLEIBE
505	12735698/ 0	1	VITE	SCREW	VIS	SCHRAUBE	
506	12139100/ 0	1	LINGUETTA	FEATHER	CLAVETTE	KEIL	

SACCO RACCOGLIERBA
GRASS-CATCHER
BAC DE RAMASSAGE
GRASFANGKORB



D-3614/N	551	98005000/ 1	1	SACCO COMPLETO	COMPLETE GRASS-BOX	SAC COMPLET	KOMPLETTER KORB
	552	22486076/ 0	1	PORTE SUP. SACCO	UPPER GRASS BOX	PARTIE SUP. SAC	OBERKORB
	553	22486077/ 0	1	PORTE INF. SACCO	LOWER GRASS BOX	PARTIE INF. SAC	UNTERKORB
	554	98004000/ 0	1	ASS. SACCO IN TELA	CANVASS GRASSCATCHER	ENSEMBLE SAC EN TOILE	KOMPLETTER SACK
	555	81006408/ 0	1	TELAIO	CHASSIS	CHÂSSIS	RAHMEN
	556	81002105/ 2	1	TELA SACCO	FABRIC BOX	TOILE POUR SAC	TUCK FÜR SACK